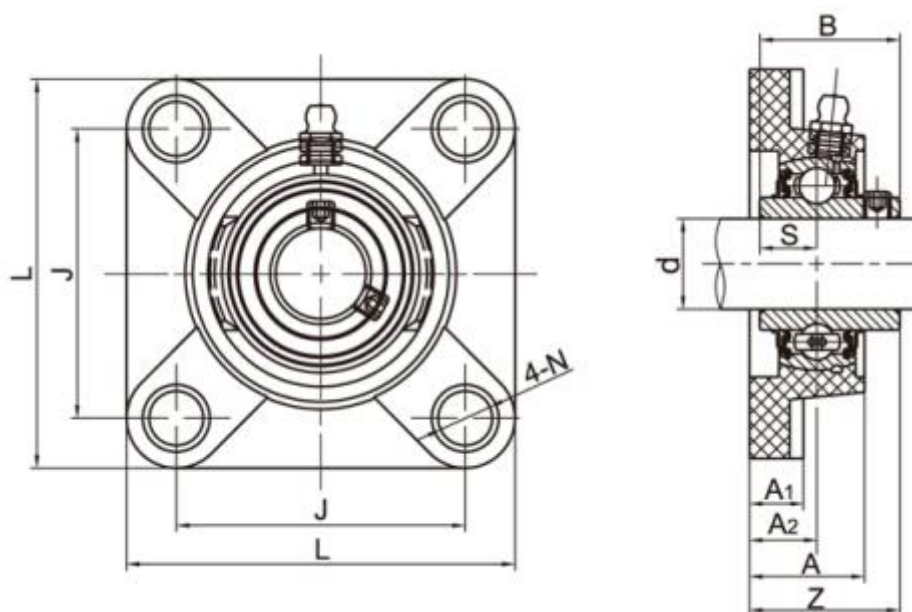


Article number: 54810632083

Description: 4 hole Flange Unit TP-SUCF208 for shaft $\varnothing 40\text{mm}$
Insert stainless steel, housing Thermoplastic green

Measures



A = 37.5	N = 14
A1 = 18	S = 19
A2 = 23	Z = 53.2
B = 49.2	
Bolt = M12	
d = 40	
J = 102	
L = 130	